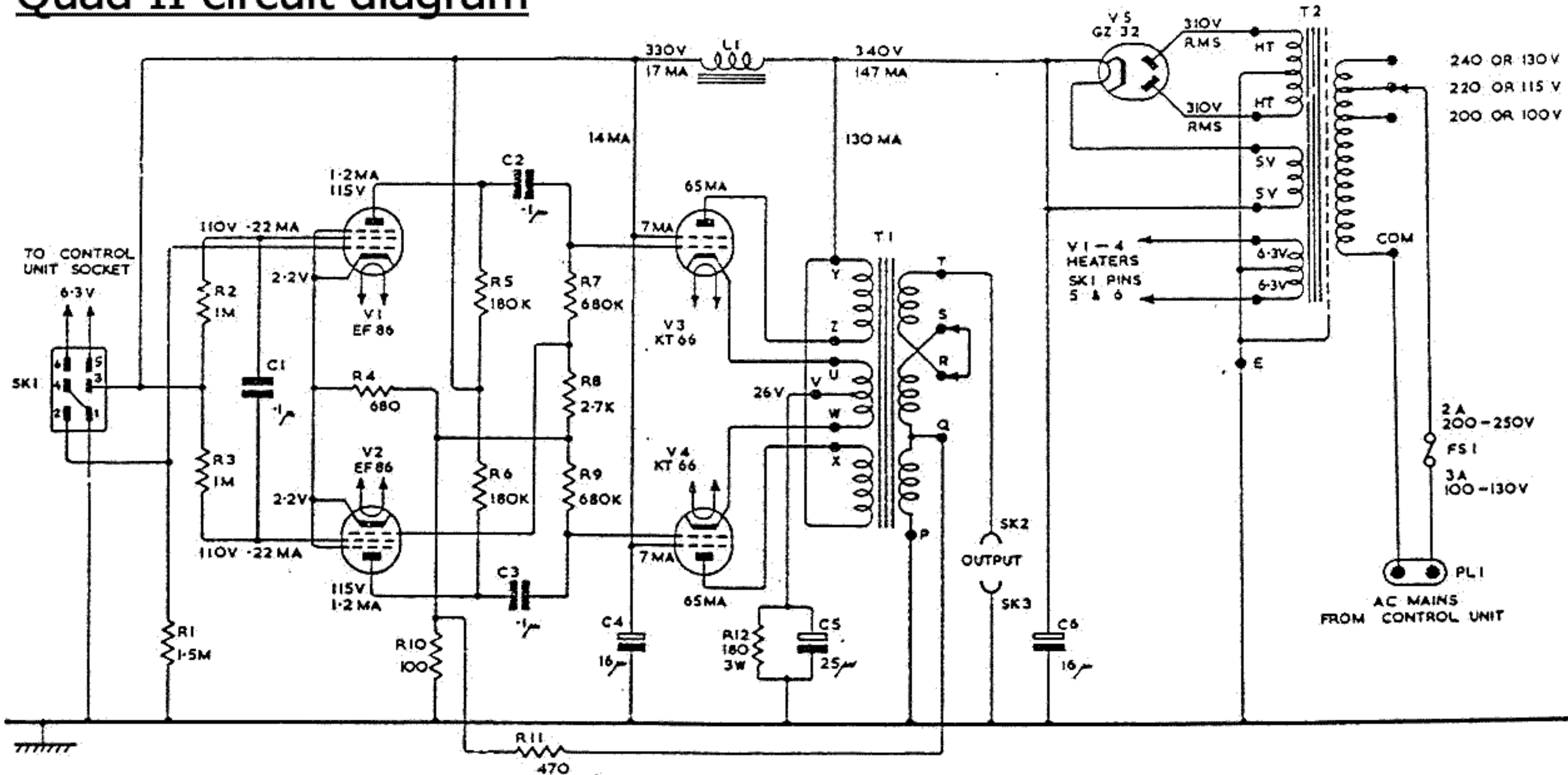


# Quad II circuit diagram



THE VOLTAGE AND CURRENT MEASUREMENTS SHOWN ARE APPROXIMATE, AND ARE ONLY PROVIDED AS A GUIDE. ALLOWANCE SHOULD BE MADE FOR THE LOADING EFFECTS OF A VOLTMETER.